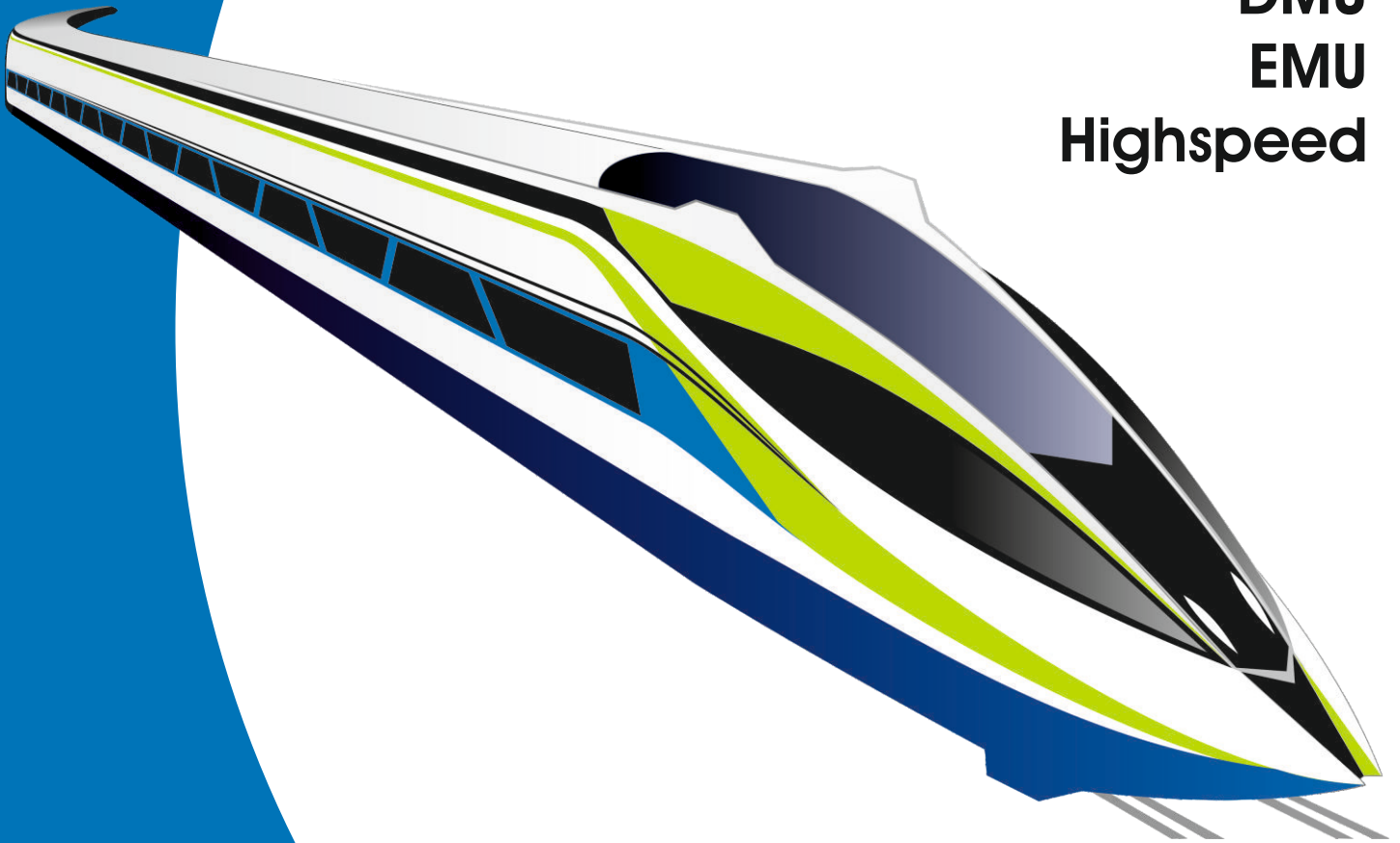








# WHEEL FLANGE LUBRICATION

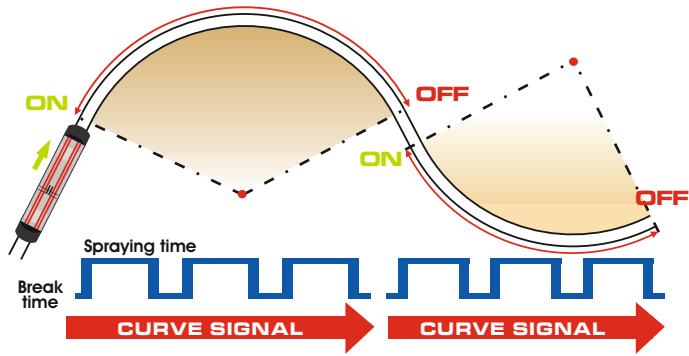
Subway  
DMU  
EMU  
Highspeed



-  Wear reduction of wheels and rails
-  Reduction of the drive power
-  Low Life Cycle Costs
-  Lubrication depending on time, distance and curves
-  Steady mixing of the lubricant
-  Spray nozzle with only one feed line

# Wheel flange lubrication

FluiLub wheel flange lubrication systems reduce the wear of rail and wheel as well as the noise load in curves in a very efficient way. FluiLub wheel flange lubrication systems offer innovative technology with tried-and-tested components and best cost-benefit-ratio.



The FluiLub wheel flange lubrication system is designed as single line system. This means: Less wear, little maintenance requirements and therefore low life-cycle costs.

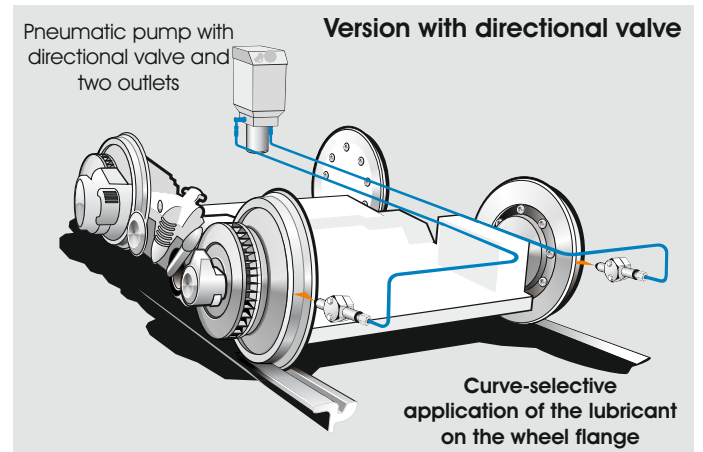
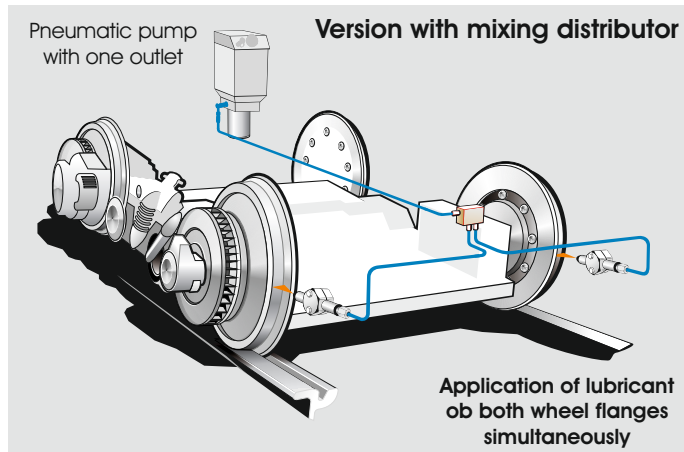
**Operating principle:** A 3/2-way control valve activates the pneumatic pump for a pre-selected spraying time. During this spraying time, a defined quantity of wheel flange lubricant is delivered by the pump and will be mixed with the spraying air.

Two different systems are available:

**Version with mixing distributor:** The mixture of lubricant and compressed air is conveyed over a mixing distributor to the spray nozzles on both sides simultaneously.

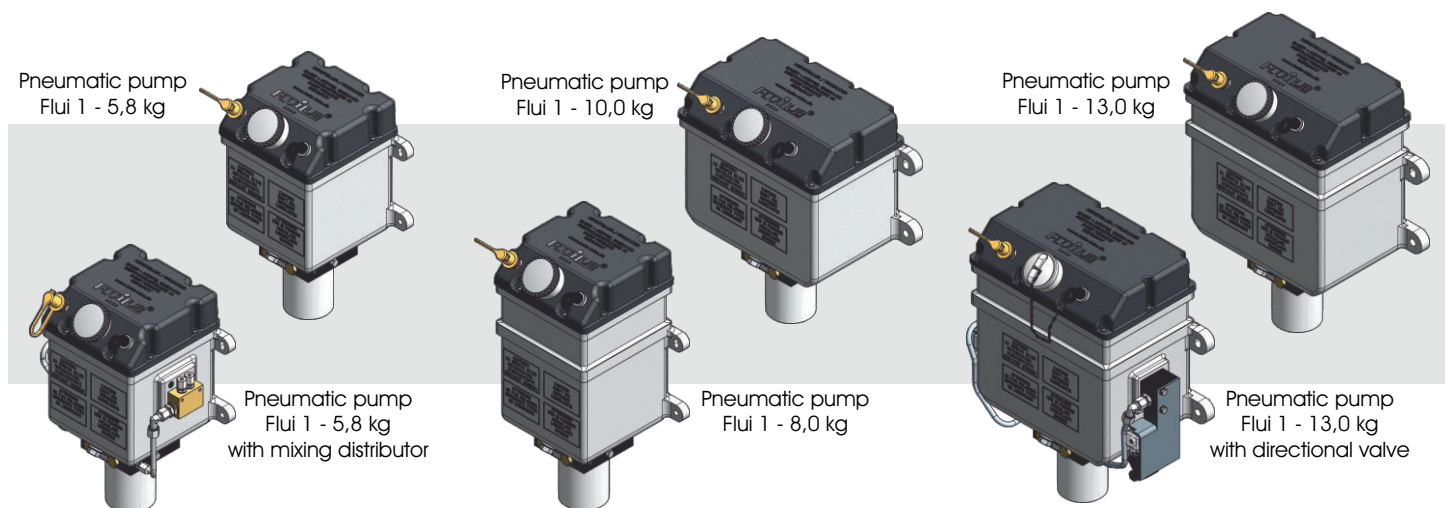
**Version with directional valve:** The mixture of lubricant and compressed air is conveyed curve-selective over a directional valve to the respective spray nozzle.

The activation of the wheel flange lubrication system happens depending on time, distance or curves.

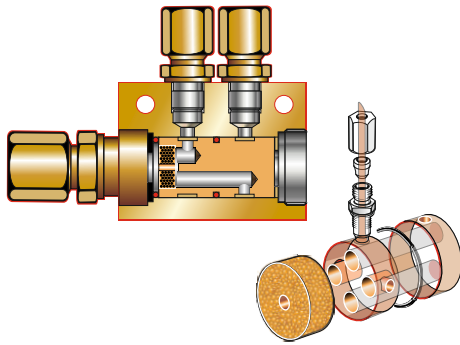


## FluiLub pumps

- Extremely rugged pneumatic pump
- Admission according to DIN EN 61 373 cat. 2
- Reservoir made of aluminium, steel or special steel
- Level monitoring with dipstick, optional electronic
- Delivery rate 50 - 1000 mm<sup>3</sup>/stroke
- Special design possible



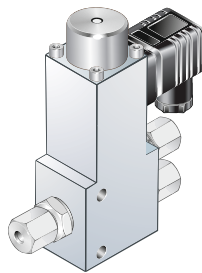
Excerpt from the FluiLub program



### FluiLub mixing distributor

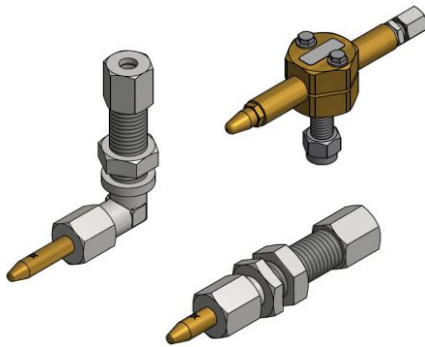
The splitting insert of the FluiLub mixing distributor cares for the division of the mixture of lubricant and compressed air. A porous insert collects the liquid particles and distributes them like a drizzle to the airstream.

This principle guarantees a homogeneous mixing ratio even with several spray nozzles.



### FluiLub directional valve

The directional valve is required for the curve-selective activation of the wheel flange lubrication system. It can be installed directly at the pump reservoir or externally. With this option, each wheel flange can be supplied separately with lubricant.



### FluiLub spray nozzles

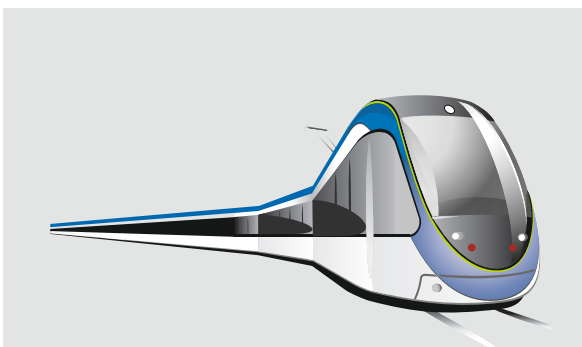
The FluiLub spray nozzles guarantee the lubrication of the wheel flanges even with very high velocities, without polluting other components like the brakes. The design of the spray nozzles depends on the application.



### FluiLub controller

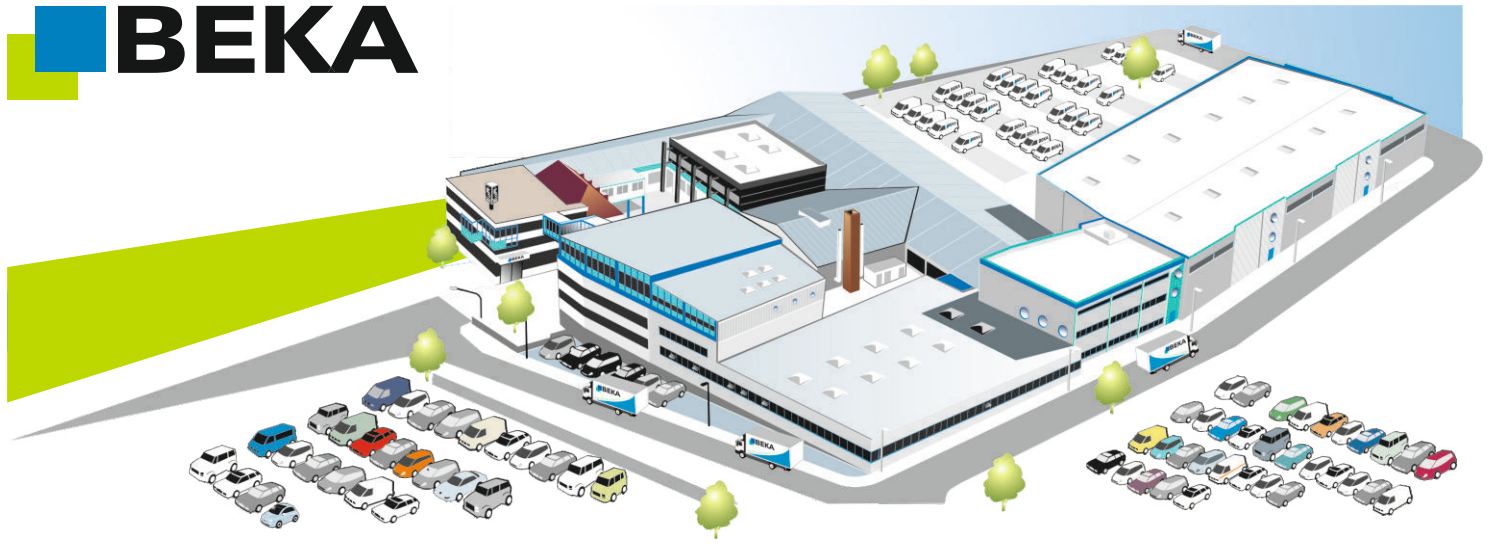
With the compact control unit Fluicontrol, the FluiLub wheel flange lubrication system can be operated best. Activation and evaluation of the system can be adapted to the required operating conditions.

The optional curve sensor allows the curve-dependant activation of the system. Conventional devices use inclination and centrifugal force, but the FluiLub sensor detects the effective rotary motion in  $^{\circ}/\text{sec}$ .



### The complete product program around rails:

- Wheel flange lubrication systems for Light Rail and Heavy Rail, EMU, DMU and Highspeed
- Rail Head Maintenance
- Special Lubricants



## BAIER + KÖPPEL GmbH + Co. KG

BEETHOVENSTRASSE 14  
91257 PEGNITZ/BAVARIA  
GERMANY

PO BOX 13 20  
91253 PEGNITZ/BAVARIA  
GERMANY

fon +49 9241 729-0  
fax +49 9241 729-50

e-mail beka@beka-lube.de  
web www.beka-lube.de

**BEKA INDUSTRIAL** **BEKAMAX** **BEKAMINING** **BEKAFLUILUB** **BEKAFOODLINE**  
**BEKAWIND** **BEKAWOOD** **BEKACLEARTRONIC** **BEKATRON** **BEKATRAX**



## BEKA International

- ALGERIA**  
 (S) BEKA LUBE ALGERIE  
 Zone d'activité n°25  
 25140 Ain-smara / Constantine  
 fon +213 31 97 51 00  
 fax +213 31 97 51 12  
 e-mail jet-services56@gmx.fr
- CHINA**  
 (S) BEKA Lubrication Systems Co., LTD  
 Room 1803, Building 1 Sandhill Plaza,  
 No.2290 Zuchongzhi Road,  
 Pudong New District, Shanghai 201210  
 fon +86 21 61462988  
 fax +86 21 61462989  
 e-mail sales@bekaworld.cn
- NETHERLANDS**  
 (S) BEKA NEDERLAND B.V.  
 Wagenmakerij 11  
 4762 AV Zevenbergen  
 fon +31 168 37 15 38  
 fax +31 168 33 83 29  
 e-mail info@beka.nl
- SINGAPORE**  
 (S) BEKAWORLD Singapore PTE. LTD.  
 51 Changi Business Park Central 2  
 #07-10 The Signature  
 Singapore 486066  
 fon +65 6538 9418  
 fax +65 6538 9428  
 e-mail sales@bekaworld.sg
- AUSTRIA**  
 (S) BEKA-Lube GmbH  
 Rotweg 66  
 5020 Salzburg  
 fon +43 662 43 84 40  
 fax +43 662 43 84 403  
 e-mail office@beka-lube.at
- EAST TSANHAIR COMPANY LTD.**  
 (P) 7A Building, Medicine Valley No.1,  
 No.9 Tianfu Street, Bio-Medicine Park,  
 Zhongguancun Science Park,  
 Daxing District, Beijing 102600  
 fon +86 10 83 681 526  
 fax +86 10 83 681 520  
 e-mail beka-lube@bekachina.com
- KOREA**  
 (R) BEKAWORLD Seoul Rep Office  
 A-1406, Sunyudo Woolim Lions Valley  
 Yangpyeong-dong 5-ga  
 Yeongdeungpo-gu, Seoul (150-984)  
 fon +82 2 2038 0988  
 fax +82 2 2038 8934  
 e-mail sales@bekaworld.kr
- TURKEY**  
 (P) BEKAMAKS MAKINA SANAYI ve TICARET  
 LTD. Sti. Kucukyali Ticaret Merkezi  
 B Blok No. 7 Gime Mah.  
 34852 Maltepe / Istanbul  
 fon +90 216 367 34 00  
 fax +90 216 367 33 85  
 e-mail info@bekamaks.com
- BELGIUM**  
 (S) BEKA LUBE N.V.S.A.  
 Demerstraat 32  
 BE 3200 Aarschot  
 fon +32 16 64 09 26  
 fax +32 16 64 05 48  
 e-mail bekalube@skynet.be
- FRANCE**  
 (S) BEKALUBE FRANCE  
 4, bis Rue de l'Artisanat  
 89100 Paron  
 fon +33 386 83 39 06  
 fax +33 386 65 52 24  
 e-mail contacts@bekalube.fr
- USA**  
 (S) BEKAWORLD LP Atlanta  
 2775 North Hills Drive NE  
 Atlanta, GA 30305  
 fon +1 404 841 1133  
 fax +1 404 968 9433  
 e-mail info@beka-lube.com
- CANADA**  
 (S) BEKA-LUBE Products Inc.  
 2830 Argenta Road, Unit 9  
 Mississauga ON L5N 8G4  
 fon +1 905 821 10 50  
 fax +1 905 858 05 97  
 e-mail info@beka-lube.com
- ITALY**  
 (S) BEKALUBE s.r.l.  
 Via E. Rossi, 152  
 I-20862 Arcore (MB)  
 fon +39 039 618 00 88  
 fax +39 039 61 75 23  
 e-mail servizioclienti@bekalube.it
- SPAIN**  
 (S) BEKA-LUBE IBERICA S.L.U.  
 C/Albasanz 14 Bis, 2ª J  
 28037 Madrid  
 fon +34 91 440 26 56  
 fax +34 810 520 178  
 e-mail beka@beka-lube.es
- BEKAWORLD LP Buffalo**  
 (S) 258 Sonwil Drive  
 P.O. Box 234  
 Buffalo, NY 14225  
 fon +1 905 821 1050  
 fax +1 905 858 05 97  
 e-mail info@beka-lube.com

## Agencies

Argentina	Finland	Latvia	Serbia
Australia	Great Britain	Lithuania	Slovakia
Belarus	Greece	Luxemburg	Slovenia
Bosnia	Hong Kong	Malaysia	South Africa
Brazil	Hungaria	New Zealand	Sweden
Bulgaria	India	Norway	Switzerland
Croatia	Indonesia	Poland	Ukraine
Czechia	Iceland	Portugal	and others
Denmark	Ireland	Romania	
Estonia	Japan	Russia	

- (S) BEKA Subsidiary
- (R) BEKA Rep Office
- (P) Partner

